

Construction Specifications:

PREMIUM Classic Series cabinets are an economical choice. 20 gauge cold rolled steel. These surface mounted and semi-recessed cabinets offer a clean appearance and come complete with breaker bar, safety locks, acrylic viewing panels and break glass decal.

- Heavy gauge galvanized steel
- Complete with cylinder lock keyed alike
- Baked white enamel finish
- Acrylic plastic viewing panel
- Breaker bar and chain
- Break glass decal
- Optional surface mount or semi-recessing frame

100-SR



Lock and breaker bar included



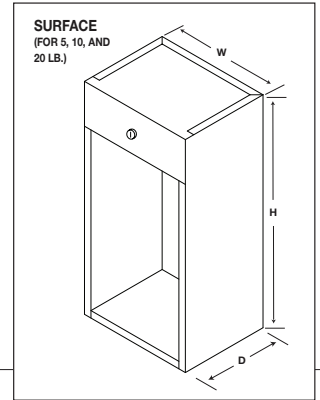
999

Replacement Acrylic, scored or unscored (decal sold separately)

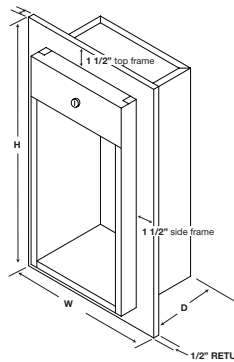
Project: _____
 Specification Reference: _____
 Model Number: _____ Quantity: _____
 Architect: _____
 Contractor: _____
 Distributor: _____
 Approved By: _____
 Date: _____

RELATED PRODUCT

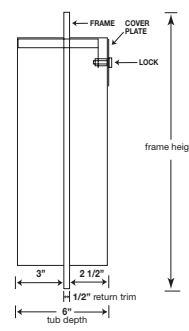
PC-Plastic Extinguisher Cabinets



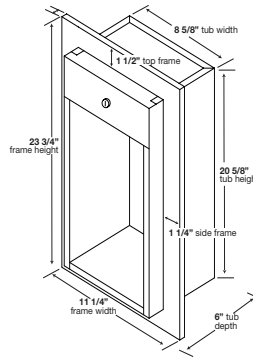
SEMI-RECESSED
999-SR (10 LB) ROUGH OPENING DIMENSIONS



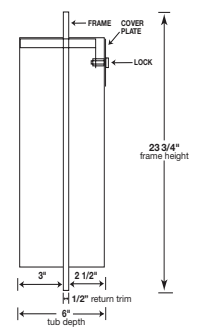
SIDE VIEW



SEMI-RECESSED
100-SF (5 LB.) OUTSIDE DIMENSIONS



SIDE VIEW 5 LB



✓	Mod. #	Turnback	Interior Tub Size			Overall Outside Trim		Rough Opening			Accom. Ext Size
			W	H	D	W	H	W	H	D	Lbs.
Surface Mounted											
	100	-	8 3/4"	20"	5 3/4"	-	-	-	-	-	5
	999	-	10 1/2"	24"	6"	-	-	-	-	-	10
	104	-	13 3/4"	29 3/4"	8 3/4"	-	-	-	-	-	20
Semi-Recessed											
	100-SR	-	8 3/4"	20"	5 3/4"	11 3/4"	23 1/8"	9 1/4"	20 3/4"	3 1/2"	5
	999-SR	-	10 1/2"	24"	6"	13 3/4"	27 1/2"	10 3/4"	24 1/2"	3 1/2"	10
Replacement Acrylic											
			Acrylic Size								
	Acrylic 100	-	8 3/4"	18"	Scored/unscored replacement acrylic						
	Acrylic 999	-	10 1/2"	21 3/4"	Scored/unscored replacement acrylic						
	Acrylic 104	-	14"	27 1/2"	Scored/unscored replacement acrylic						

